

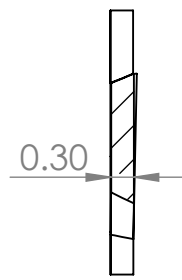
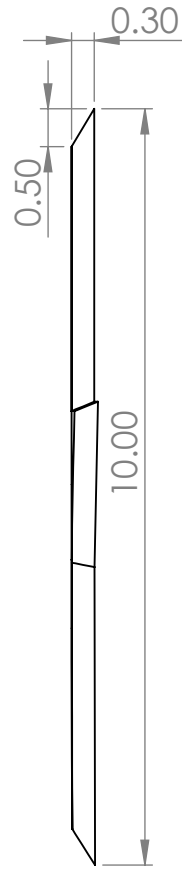
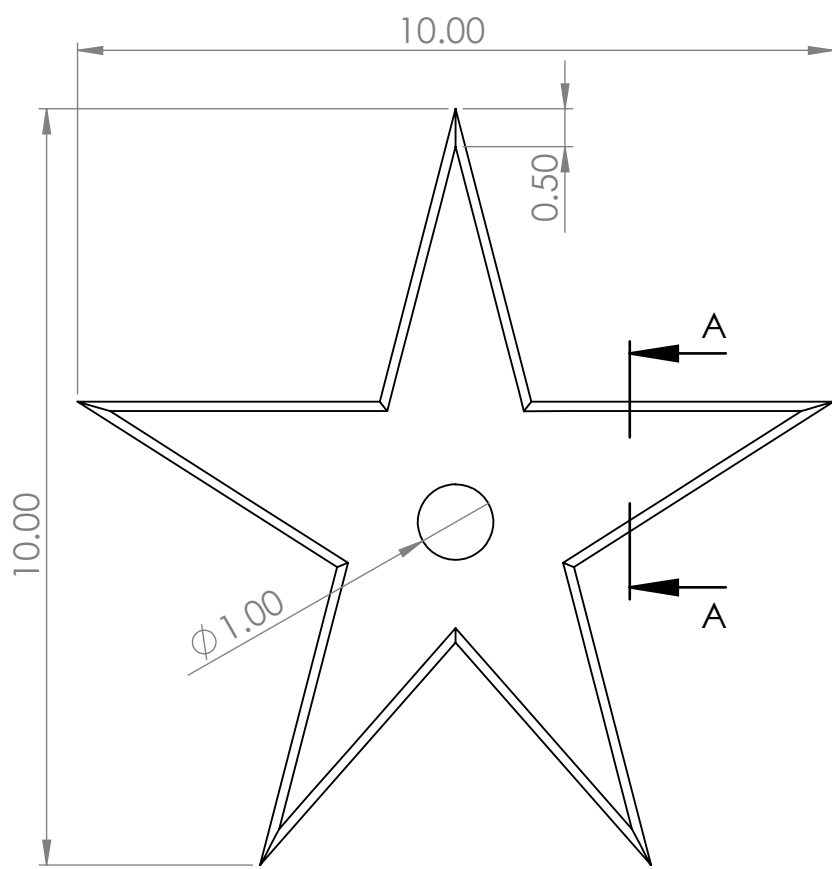
6 5 4 3 2 1

D

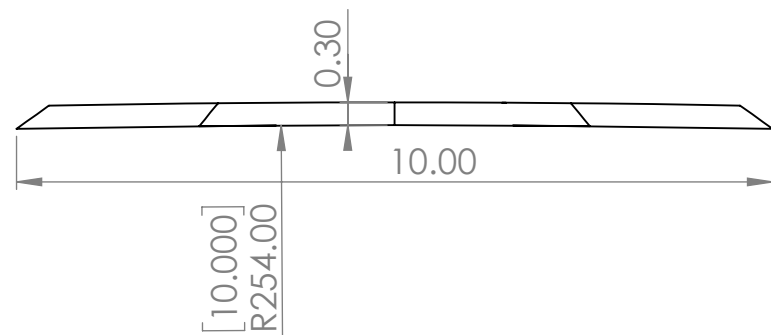
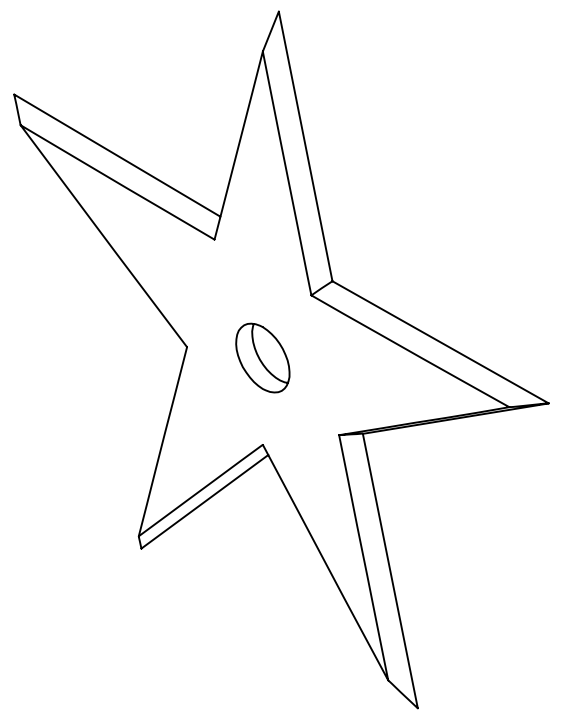
C

B

A



SECTION A-A



UNLESS OTHERWISE SPECIFIED: DIMENSIONS ARE IN MILLIMETERS [INCHES]		
DWG NO. 332-T1617-R1		A4
SCALE:10:1	SHEET 1 OF 1	

6 5 4 3 2 1

D

C

B

A